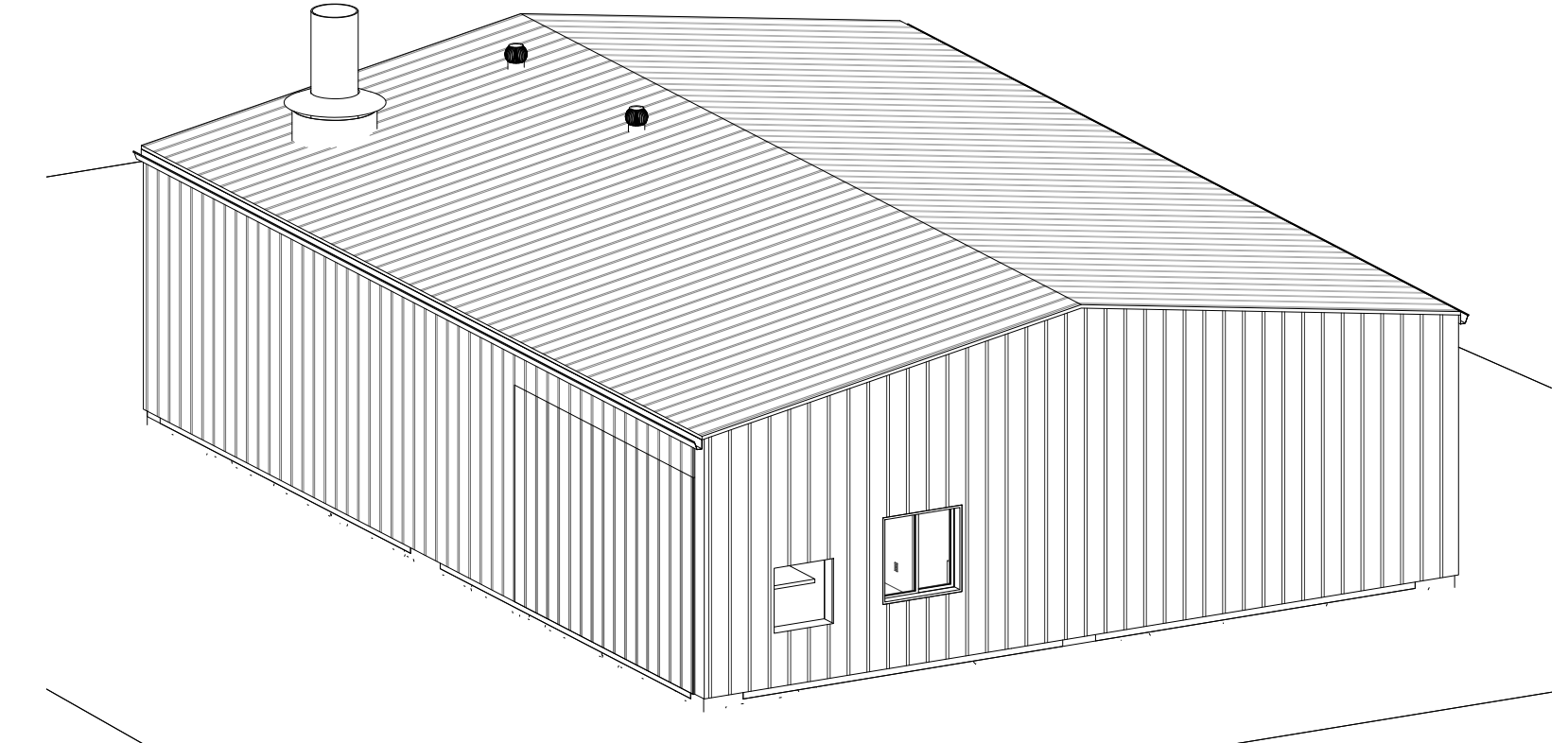
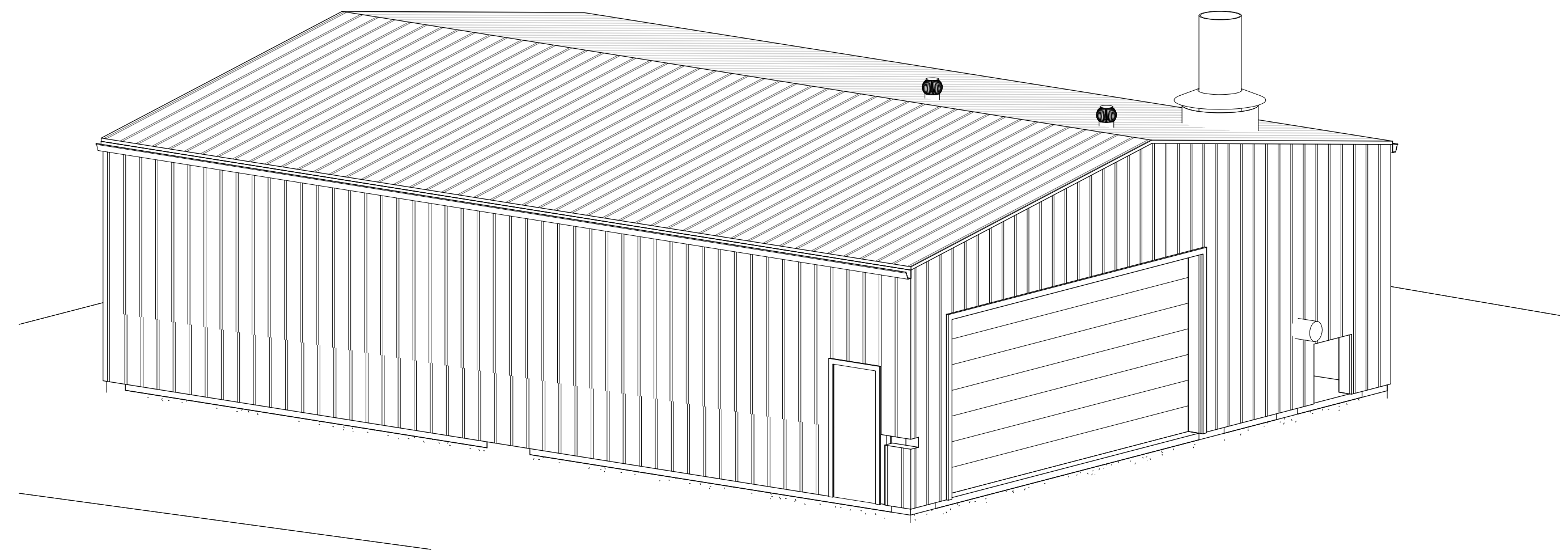


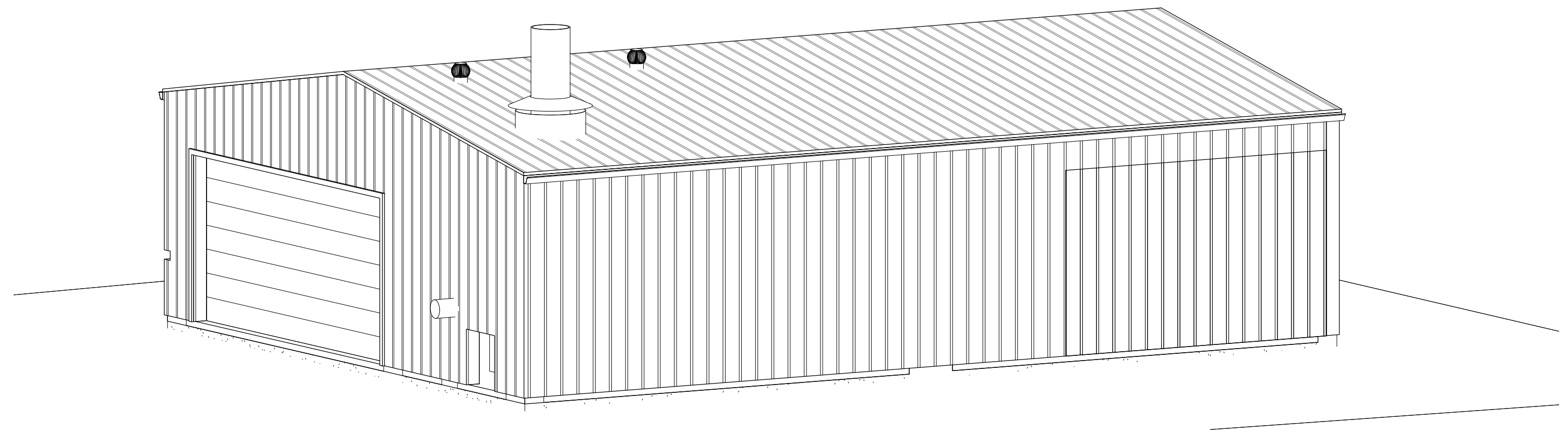
2 COVER VIEW 1



5 COVER VIEW 4



3 COVER VIEW 2



4 COVER VIEW 3

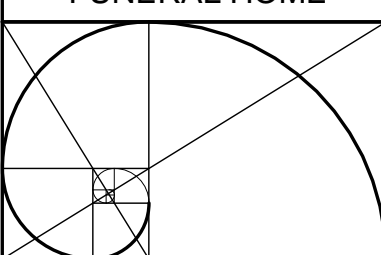
SERVICE BUILDING FOR:  
**MT. MEMORIAL FUNERAL HOME**  
51 COUNTY ROAD 5, DIVIDE, CO 80814

PLAN CHECK

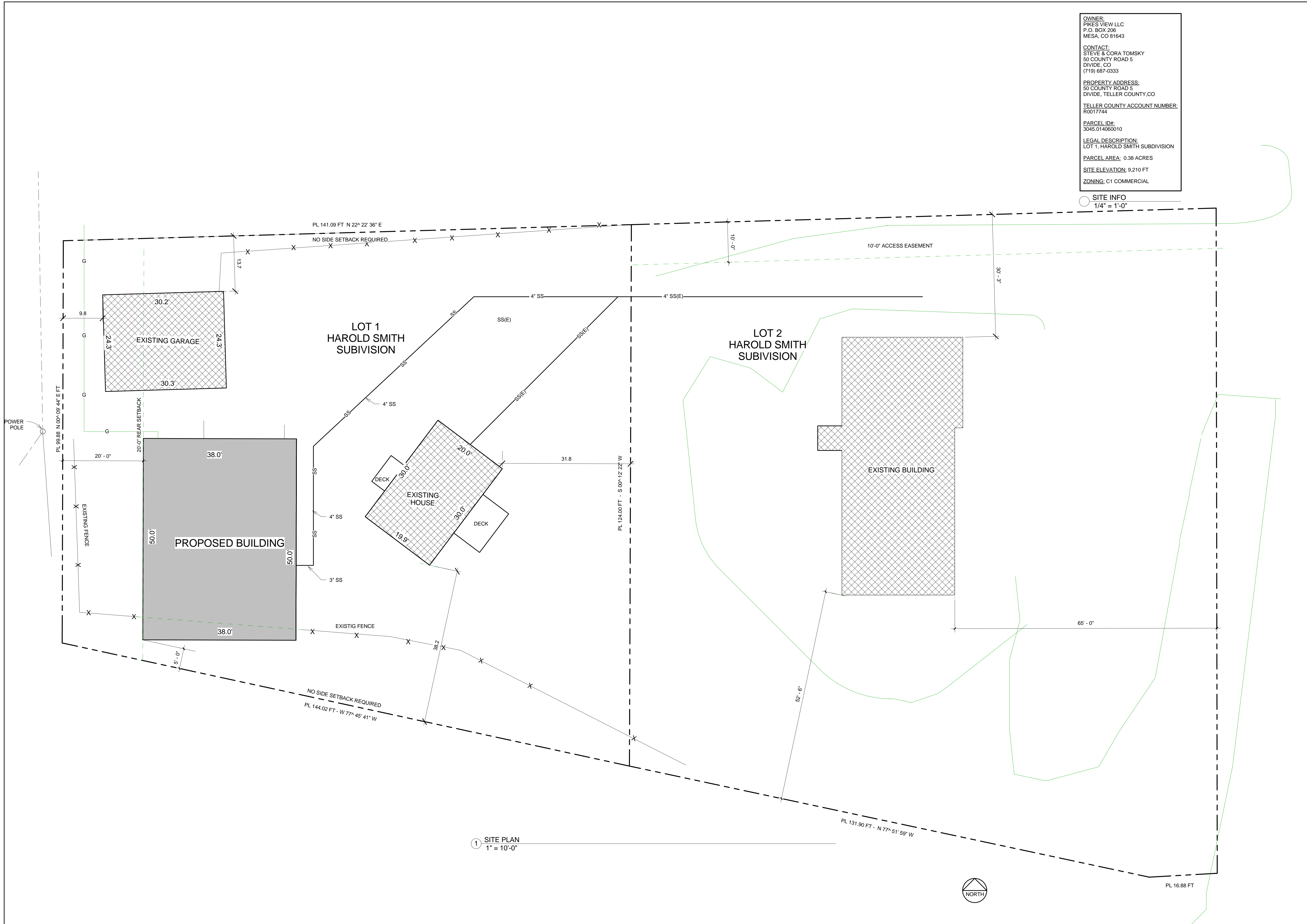
Project number 17015  
Date OCT 3, 2017

**CVR**

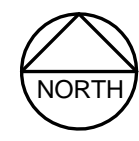
LEGAL DESCRIPTION:  
 OWNER: PIKES VIEW LLC  
 P.O. BOX 206  
 MESA, CO 81643  
 CONTACT: STEVE & CORA TOMSKY  
 50 COUNTY ROAD 5  
 DIVIDE, CO  
 (719) 687-0333  
 PROPERTY ADDRESS:  
 50 COUNTY ROAD 5  
 DIVIDE, TELLER COUNTY, CO  
 TELLER COUNTY ACCOUNT NUMBER:  
 R0017744  
 PARCEL ID#: 3045.014060010  
 LEGAL DESCRIPTION:  
 LOT 1, HAROLD SMITH SUBDIVISION  
 PARCEL AREA: 0.38 ACRES  
 SITE ELEVATION: 9,210 FT  
 ZONING: C1 COMMERCIAL

17015  
 MT. MEMORIAL  
 FUNERAL HOME  
  
**HARTSFIELD  
 ARCHITECTS**  
 1151 Sundance Circle  
 Woodland Park CO 80863  
 (719) 761-9455  
 kenhartfield@cs.com

SITE INFO  
 1/4" = 1'-0"



1 SITE PLAN  
 1" = 10'-0"



SERVICE BUILDING FOR:  
**MT. MEMORIAL FUNERAL HOME**  
 51 COUNTY ROAD 5, DIVIDE, CO 80814

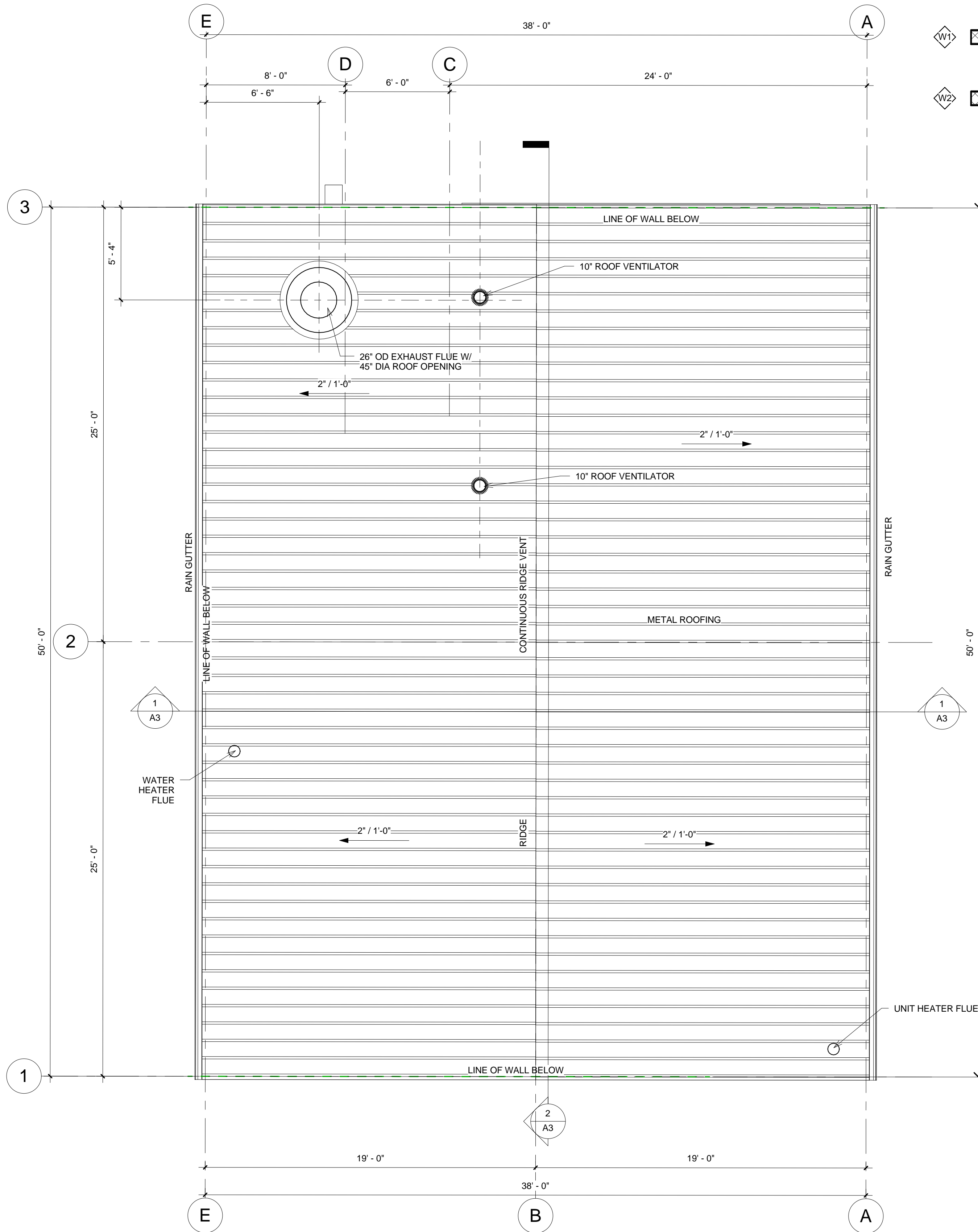
PLAN CHECK

Project number 17015  
 Date OCT 3, 2017

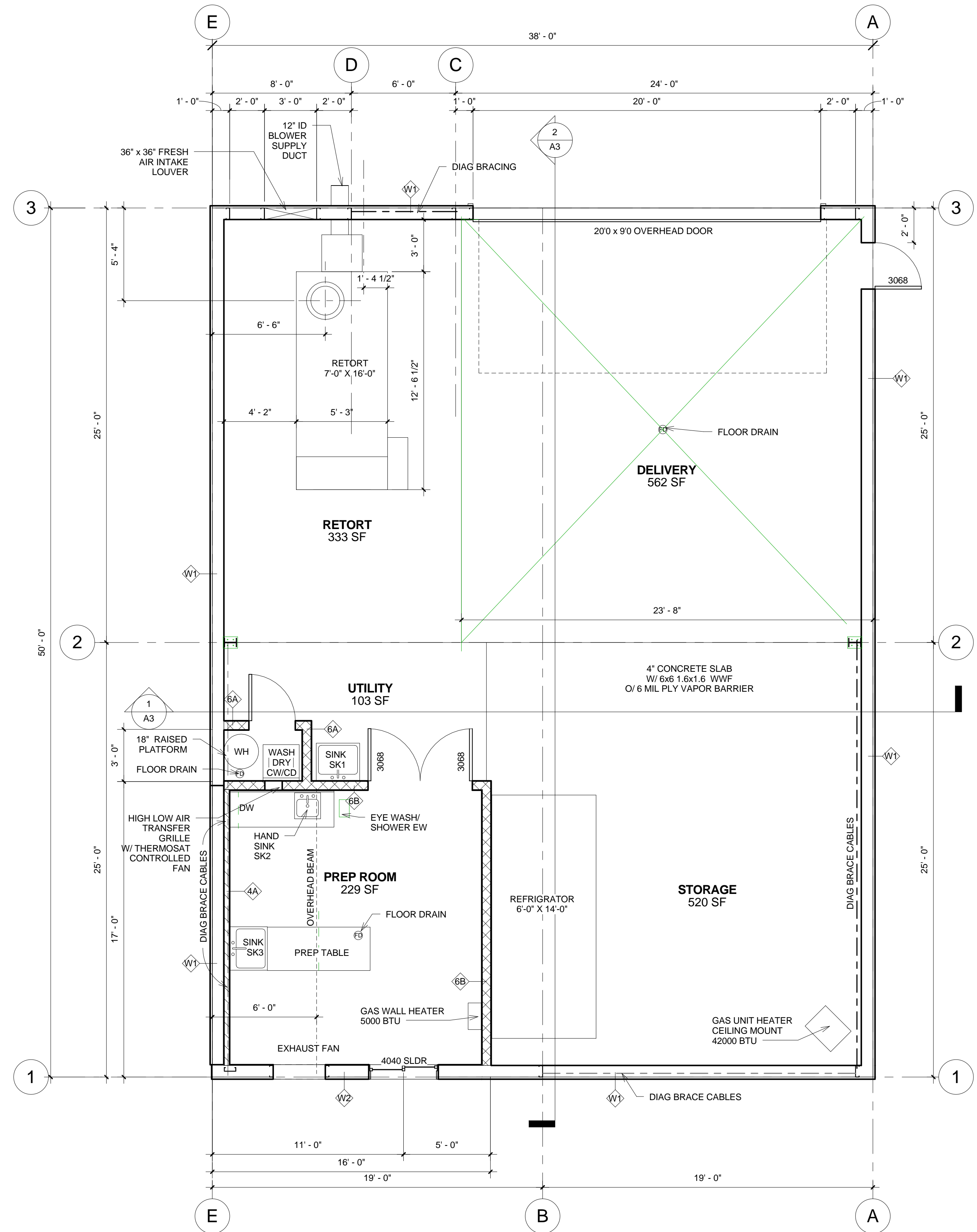
**C1**

WALL TYPE LEGEND

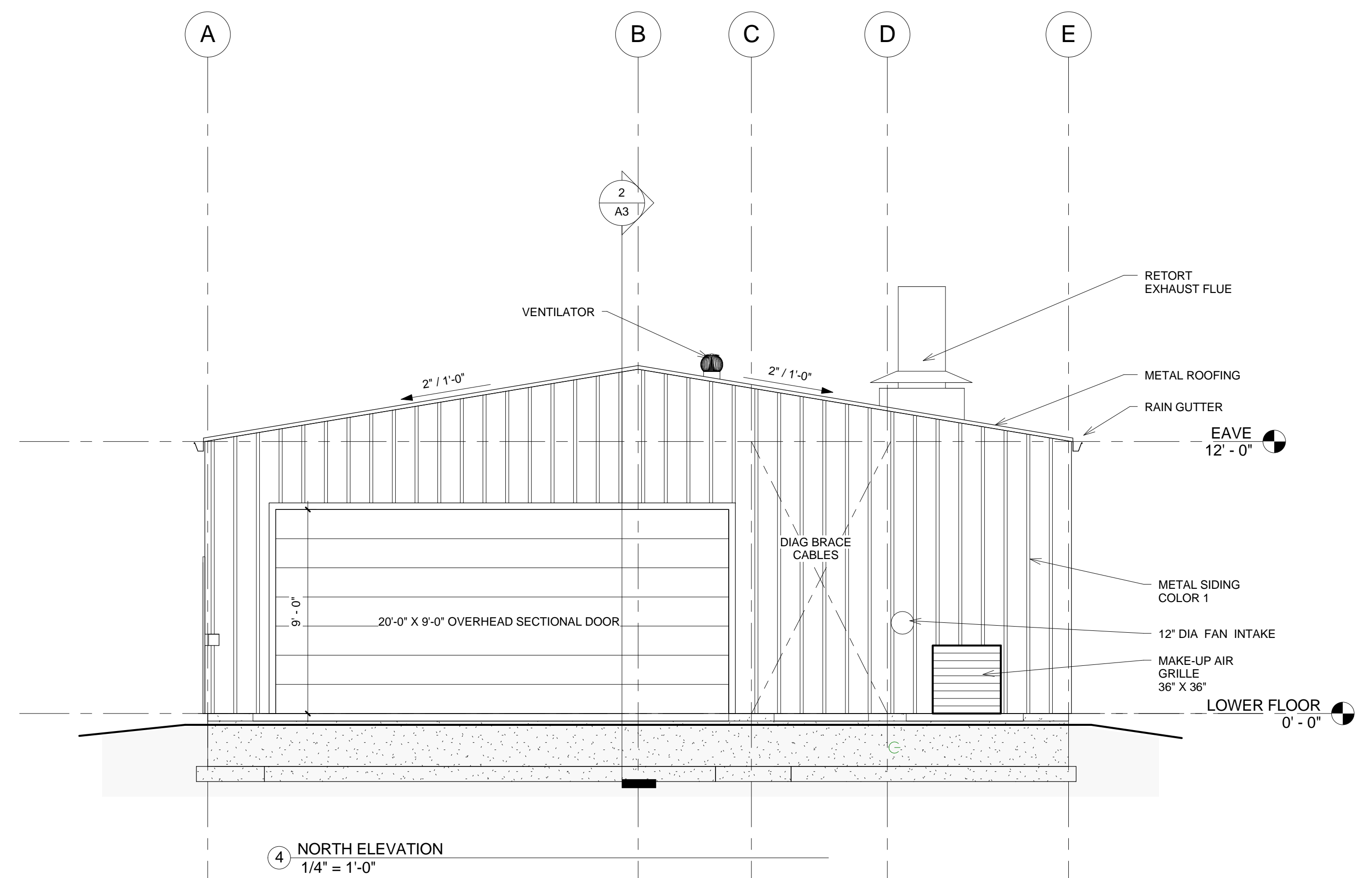
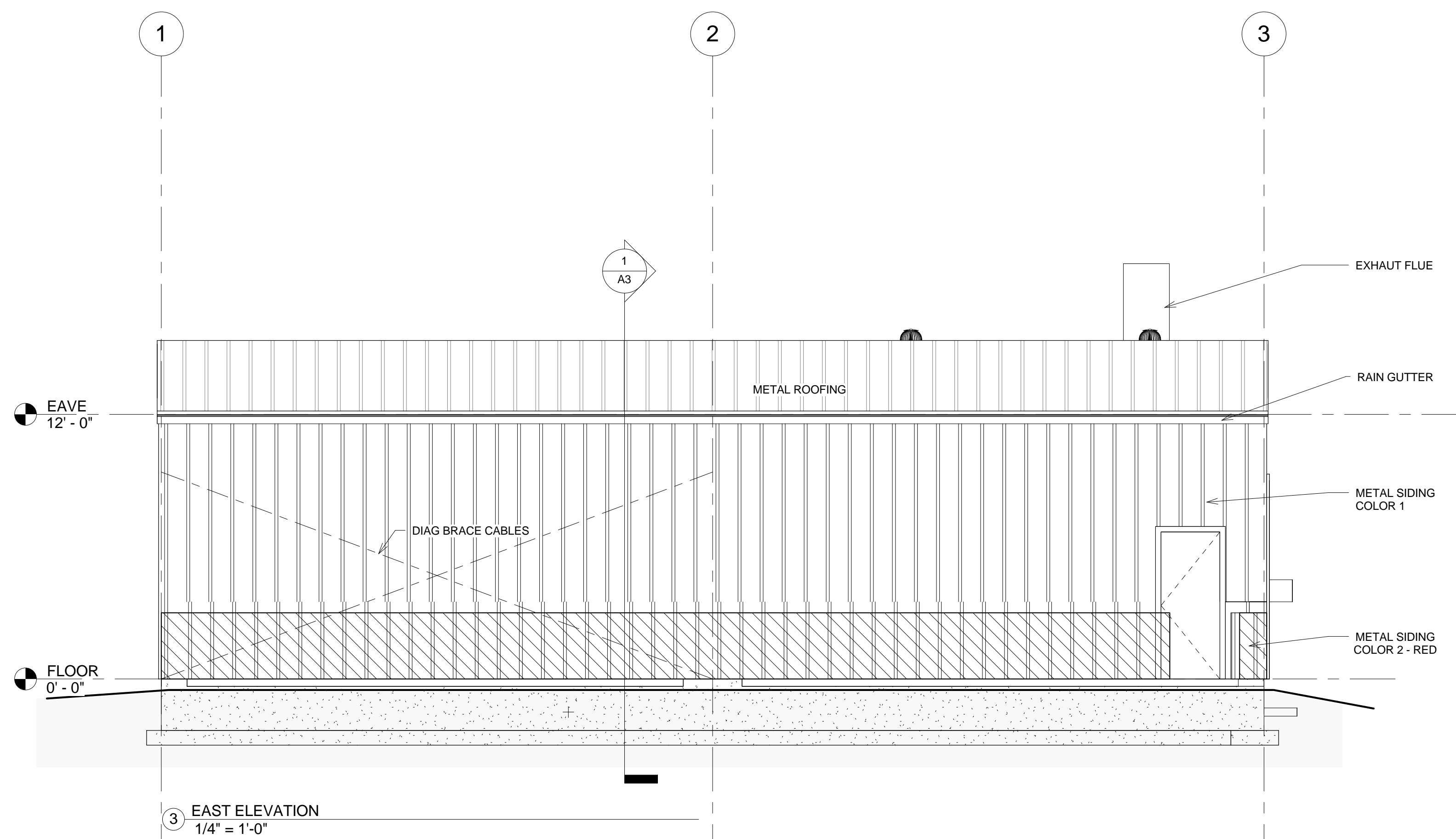
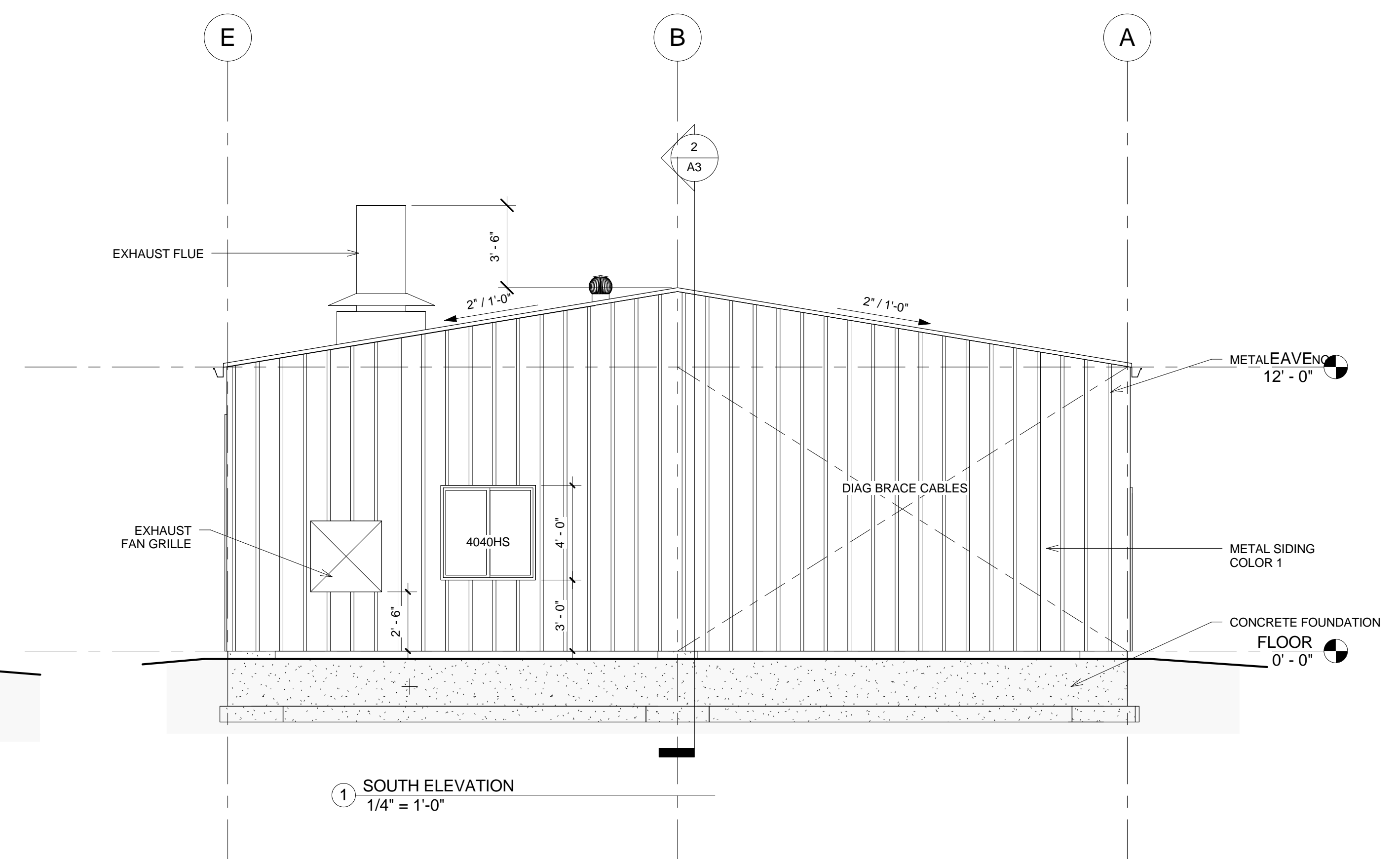
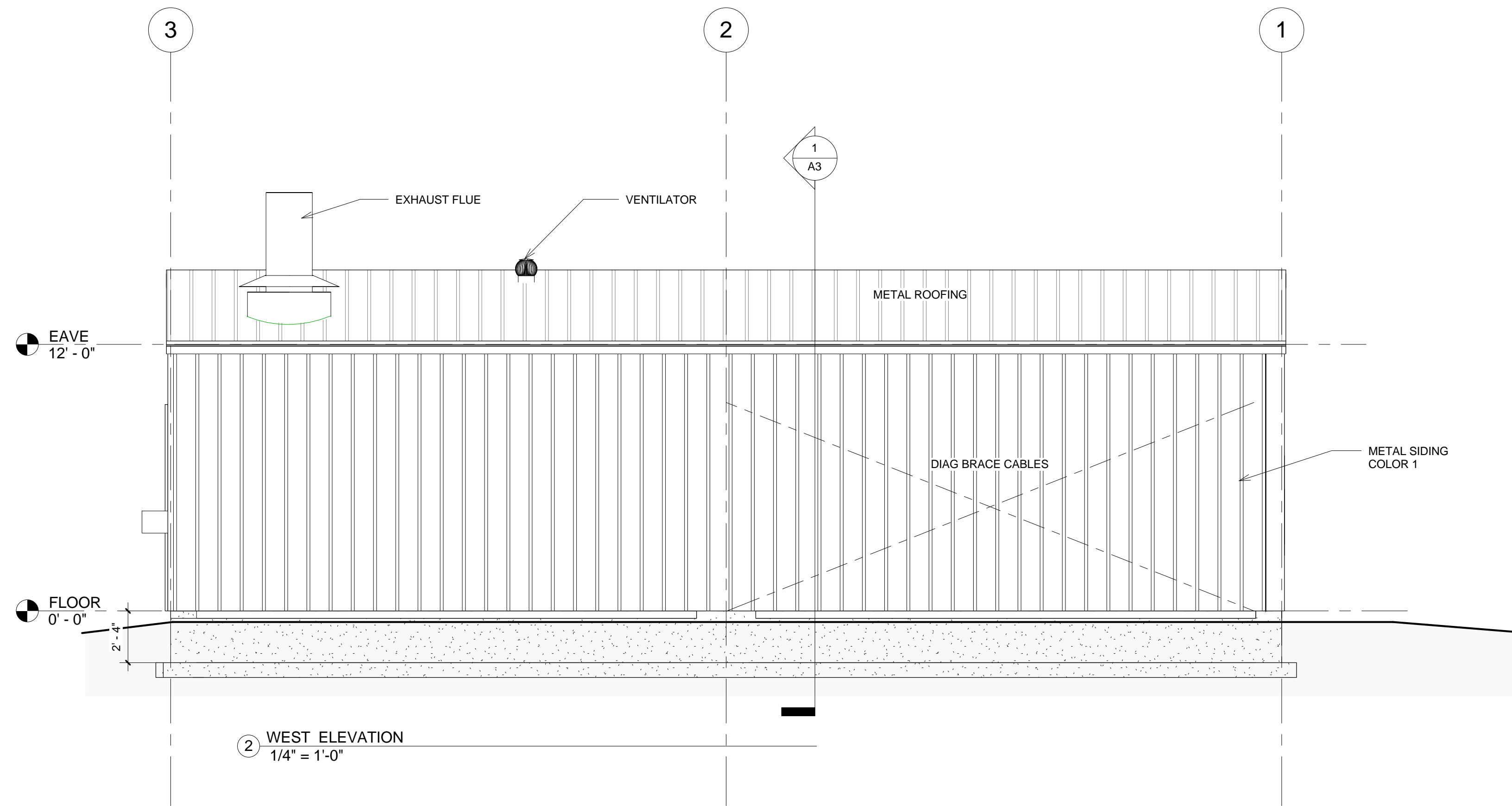
- 6A EXTERIOR METAL SIDING  
INFILTRATION BARRIER  
METAL BUILDING GIRTS  
R-19" INSULATION
- 6B EXTERIOR METAL SIDING  
INFILTRATION BARRIER  
METAL BUILDING GIRTS  
R-19" INSULATION  
1/2" GYPSUM BOARD  
FRP PANELS
- 4A FRP PANELS  
1/2" GYPSUM BD  
2x4 STUDS
- W1 EXTERIOR METAL SIDING  
INFILTRATION BARRIER  
METAL BUILDING GIRTS  
R-19" INSULATION
- W2 EXTERIOR METAL SIDING  
INFILTRATION BARRIER  
METAL BUILDING GIRTS  
R-19" INSULATION  
1/2" GYPSUM BOARD  
FRP PANEL

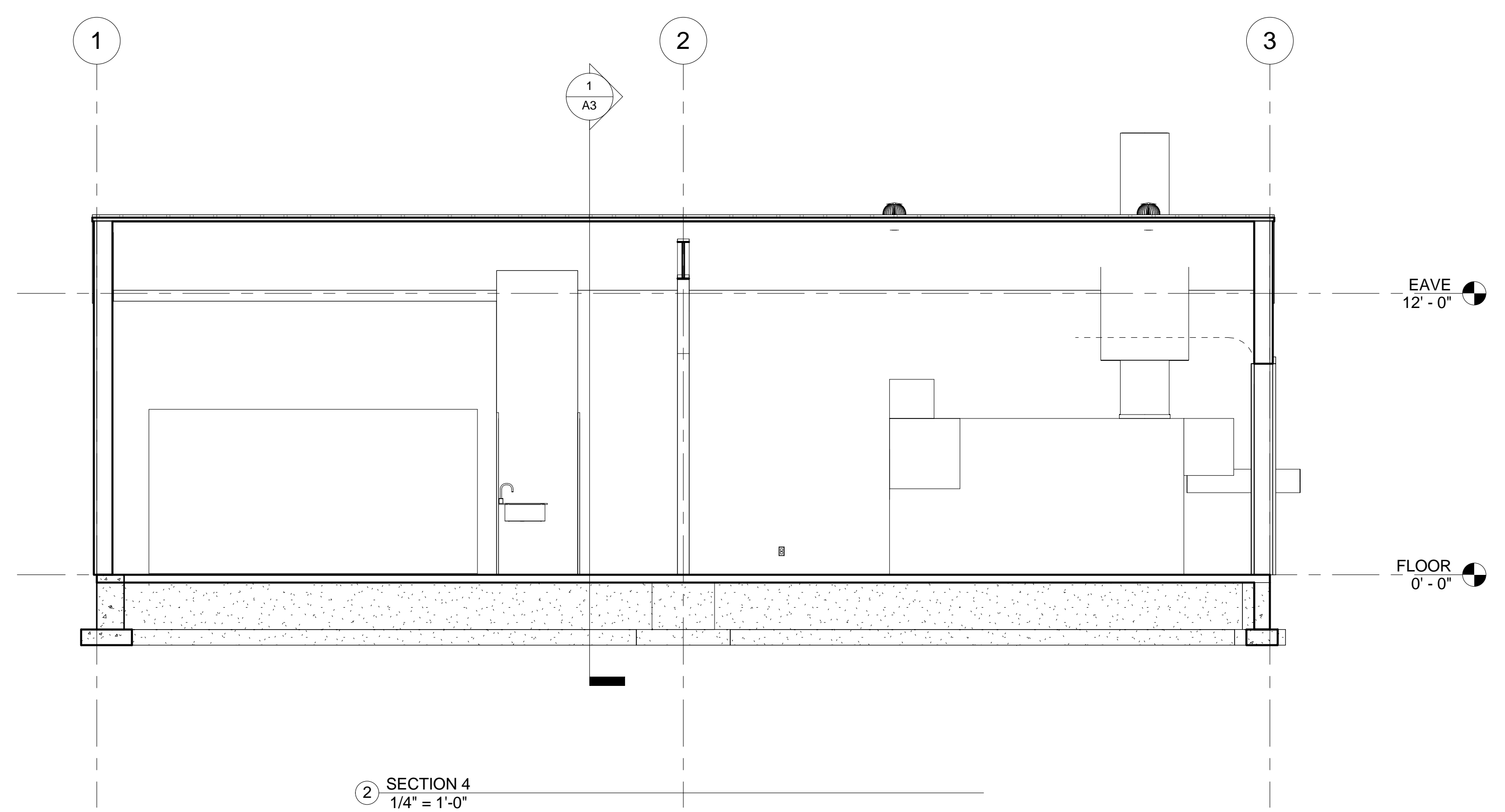
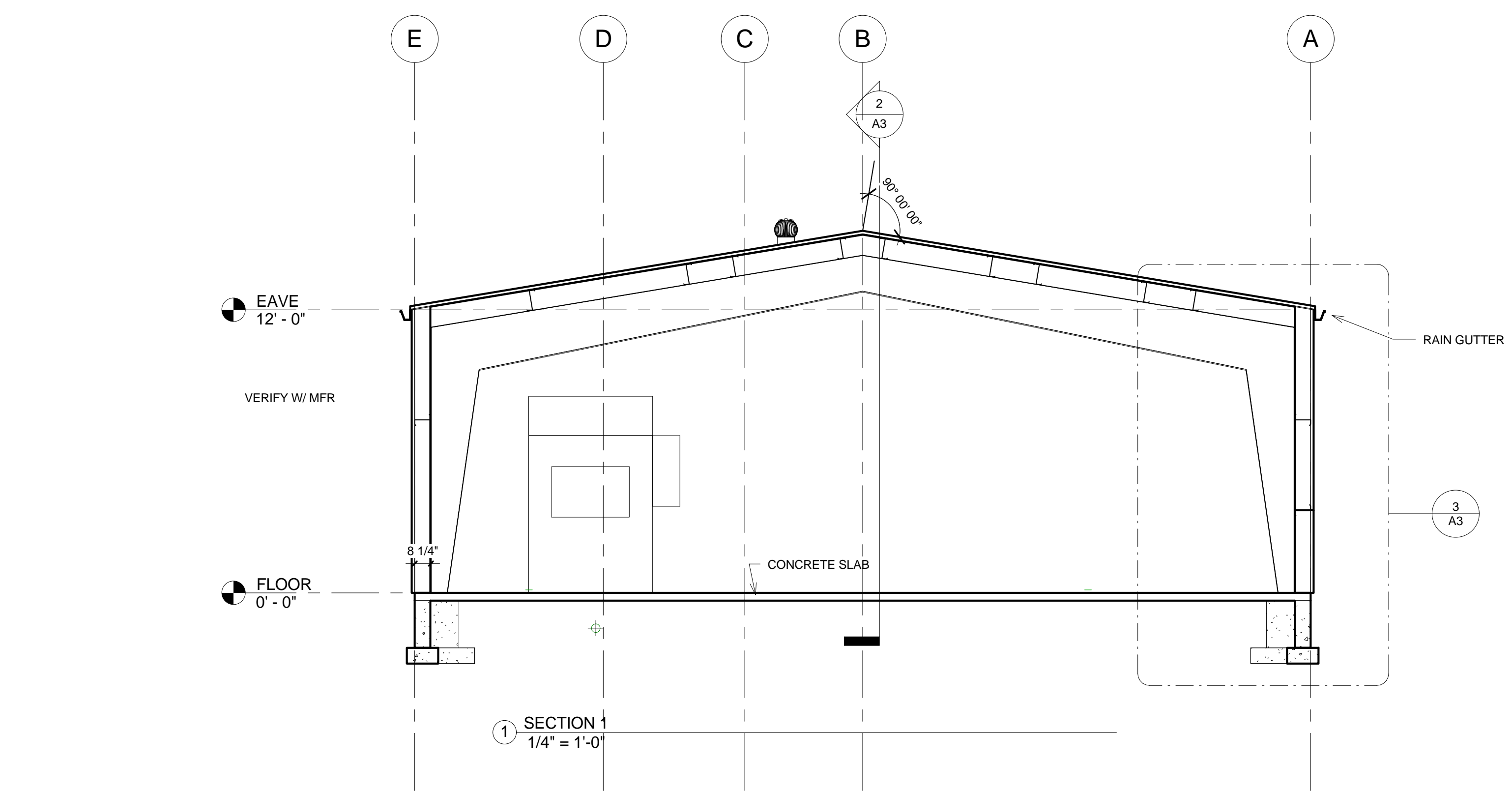
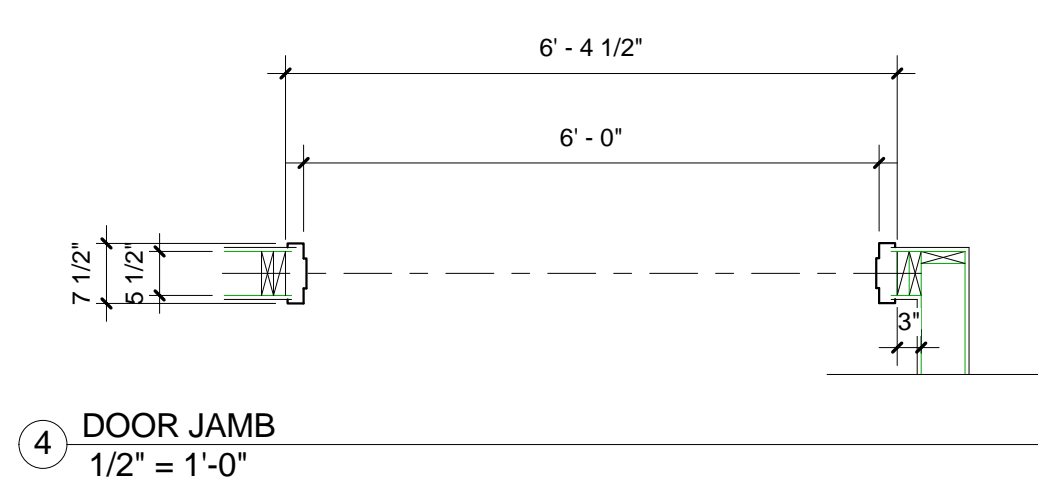
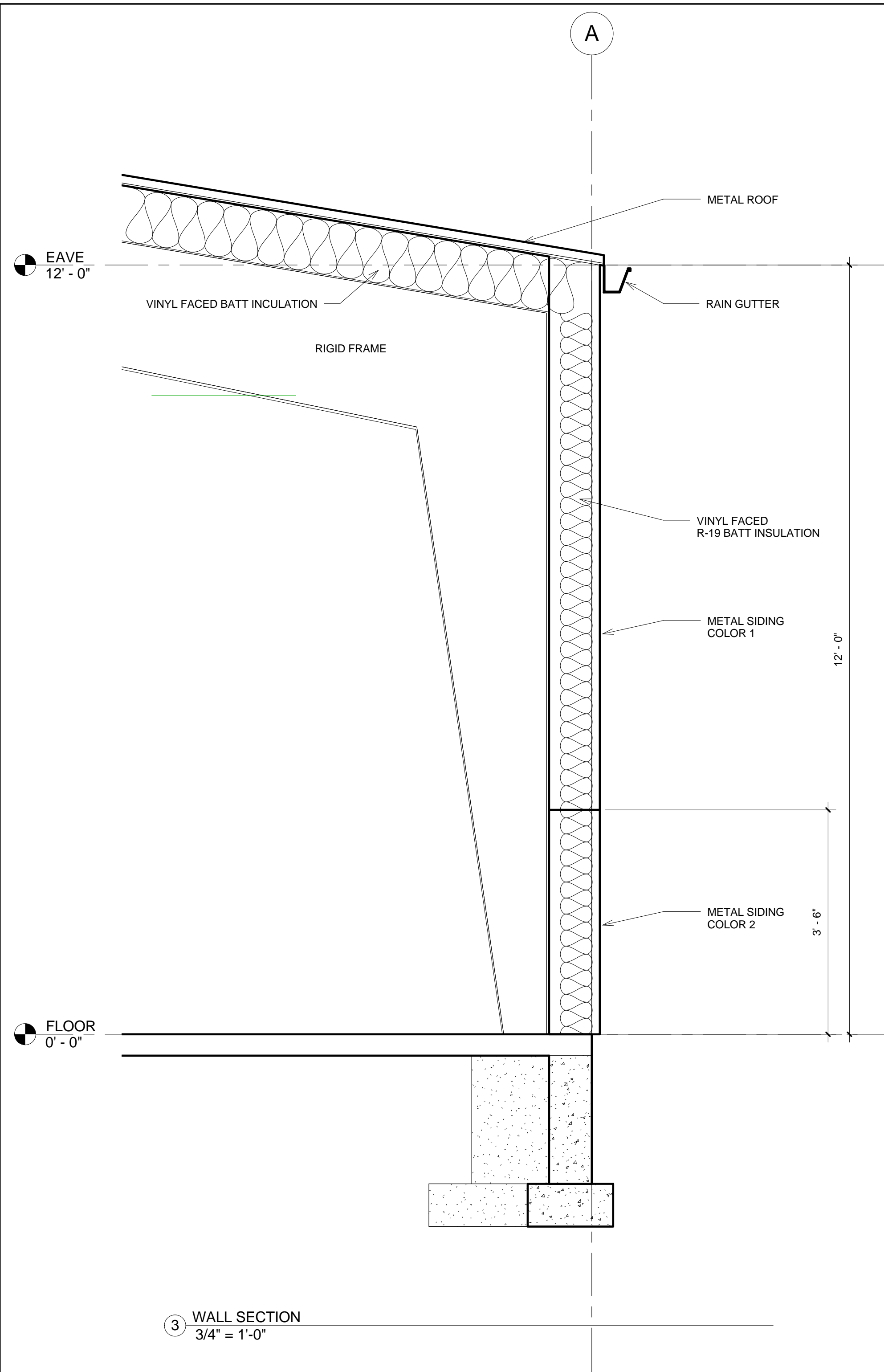


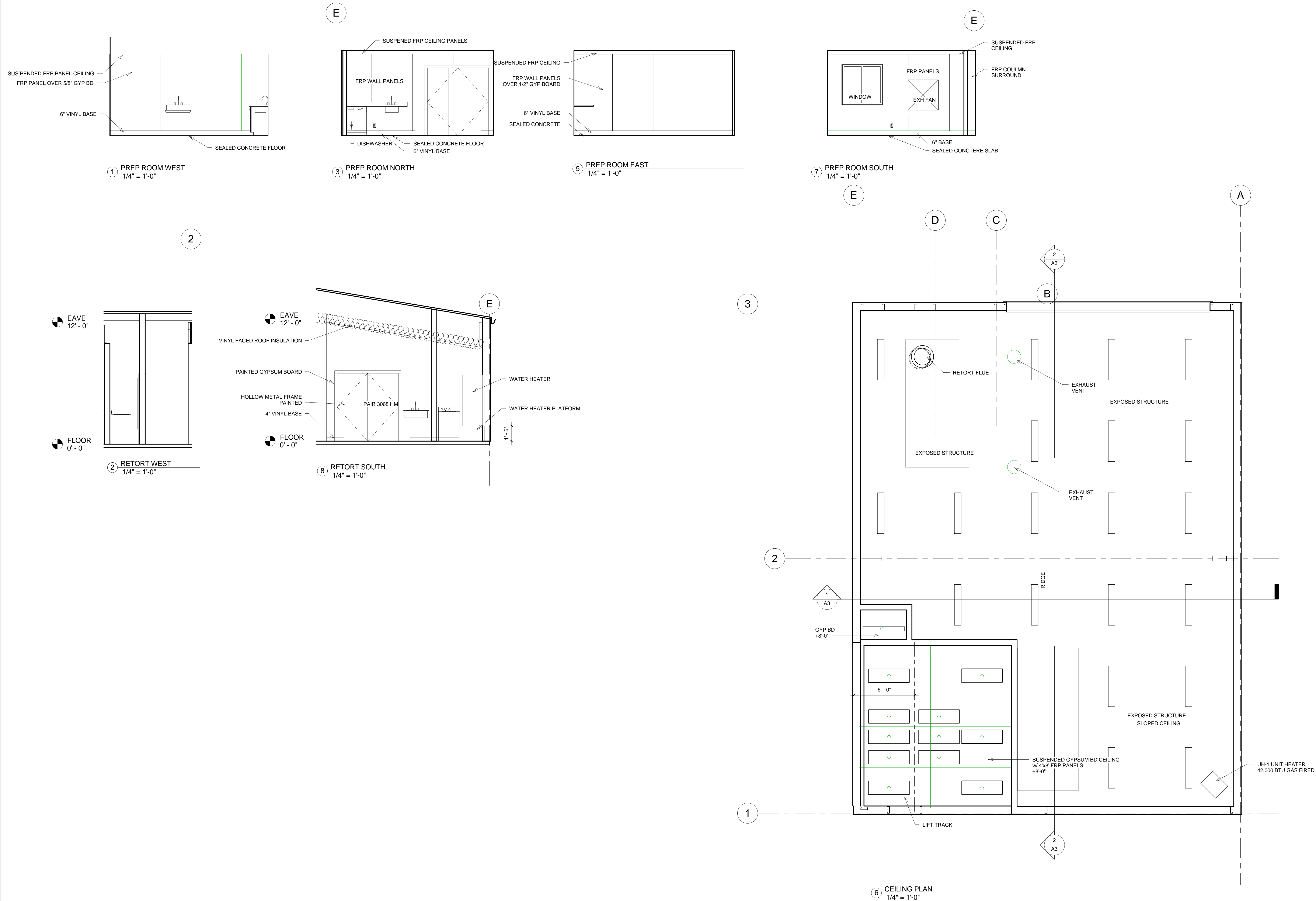
2 ROOF PLAN  
1/4" = 1'-0"



1 FLOOR PLAN  
1/4" = 1'-0"







**SOILS INFORMATION**  
SOIL BEARING CAPACITY 3000 PSF  
EQUIV FLUID PRESSURE 35 PSF

**DESIGN CRITERIA:**

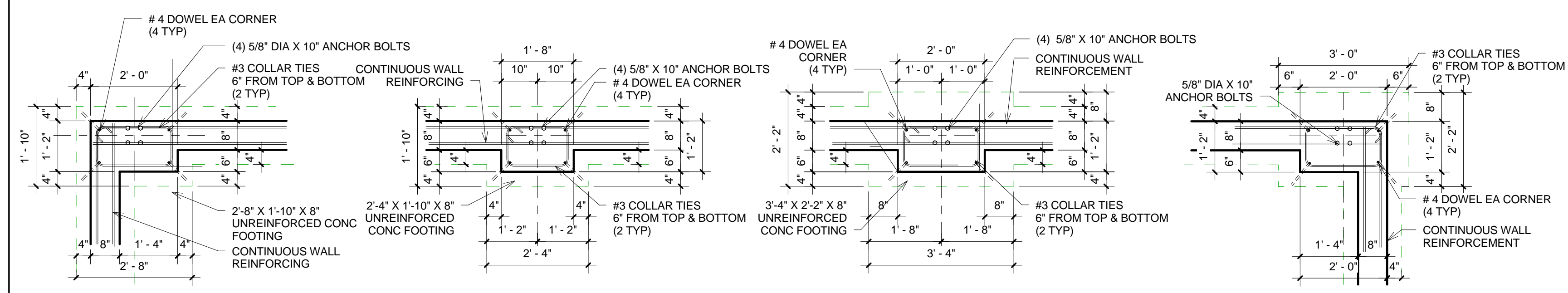
**BUILDING CODES:**  
2015 IBC  
2015 TBC

**DESIGN LOADS:**  
LIVE LOADS = 100 PSF  
DEAD LOADS = 15 PSF

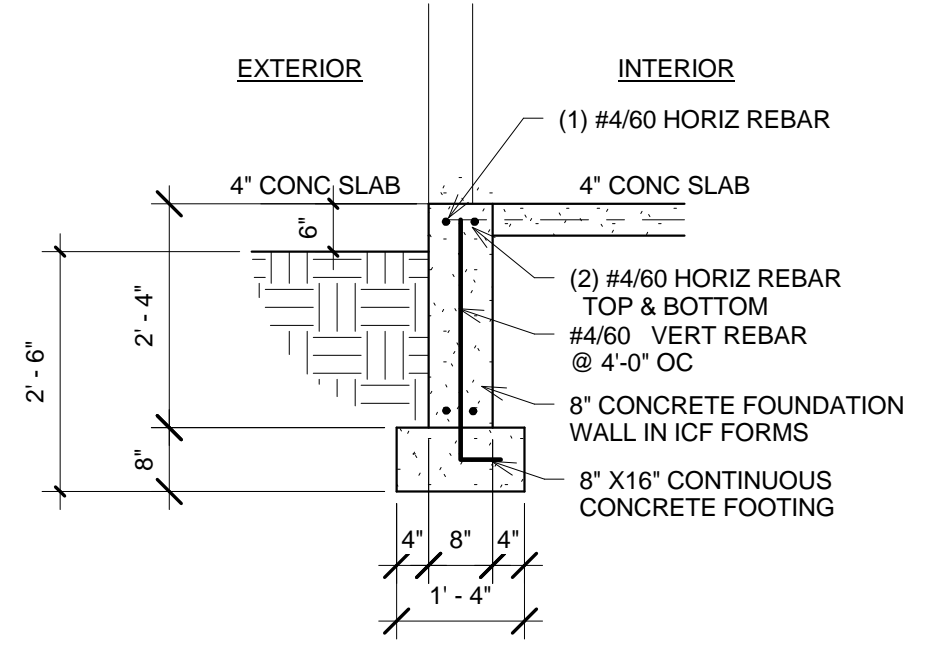
**FLOOR LOADS**  
LIVE LOAD = 40 PSF  
DEAD LOAD = 15 PSF

**SNOW LOAD**  
GROUND = 30 PSF

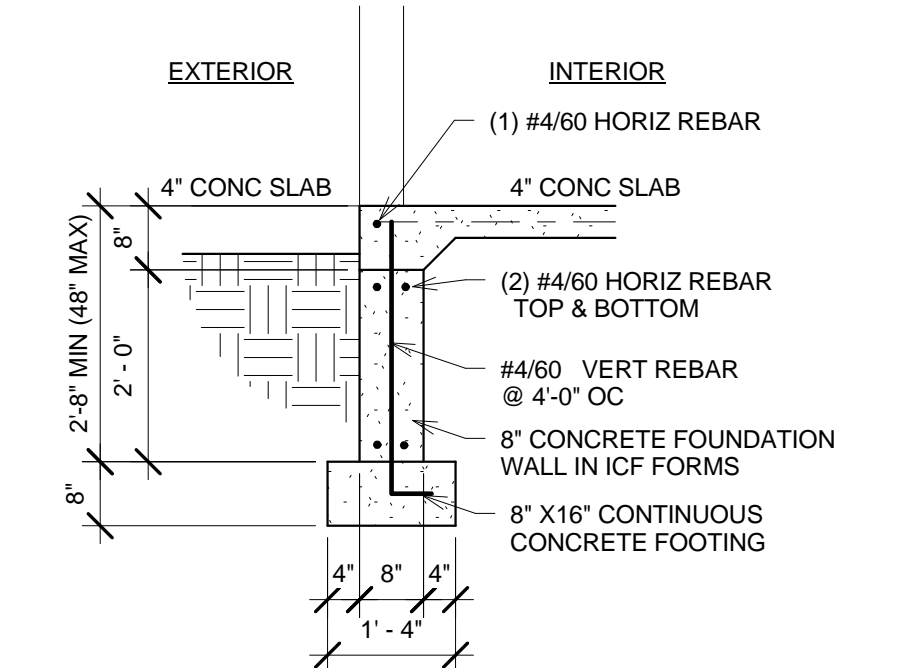
**WIND LOADS:**  
WIND SPEED: 100 MPH  
EXPOSURE : C



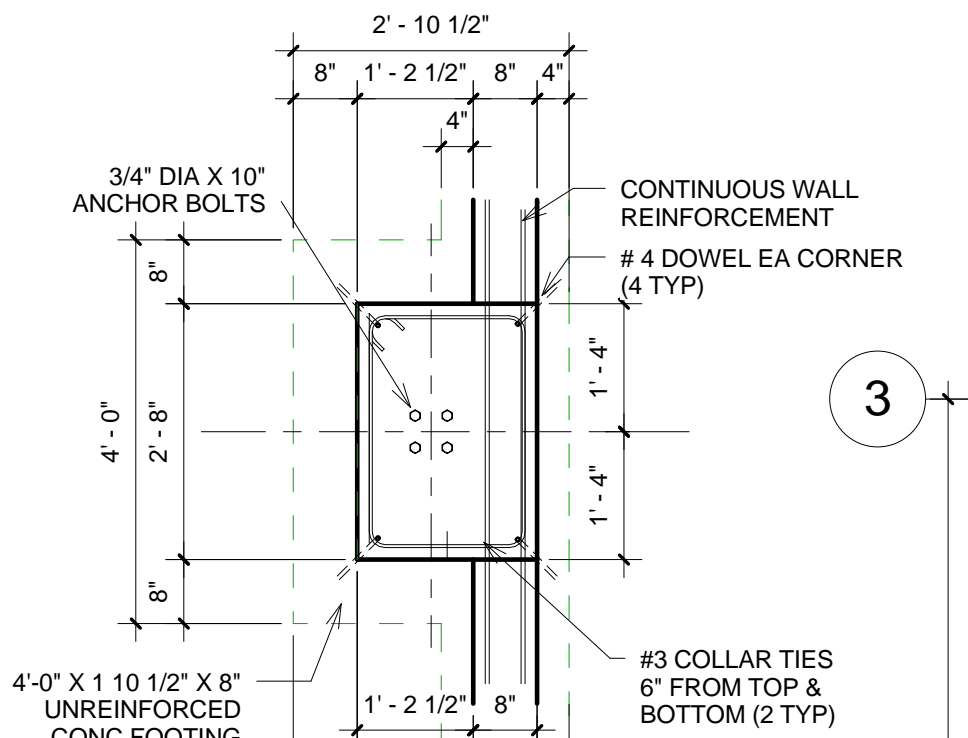
9 PIER G 1/2" = 1'-0"  
8 PIER F 1/2" = 1'-0"  
7 PIER E 1/2" = 1'-0"  
3 PIER A 1/2" = 1'-0"



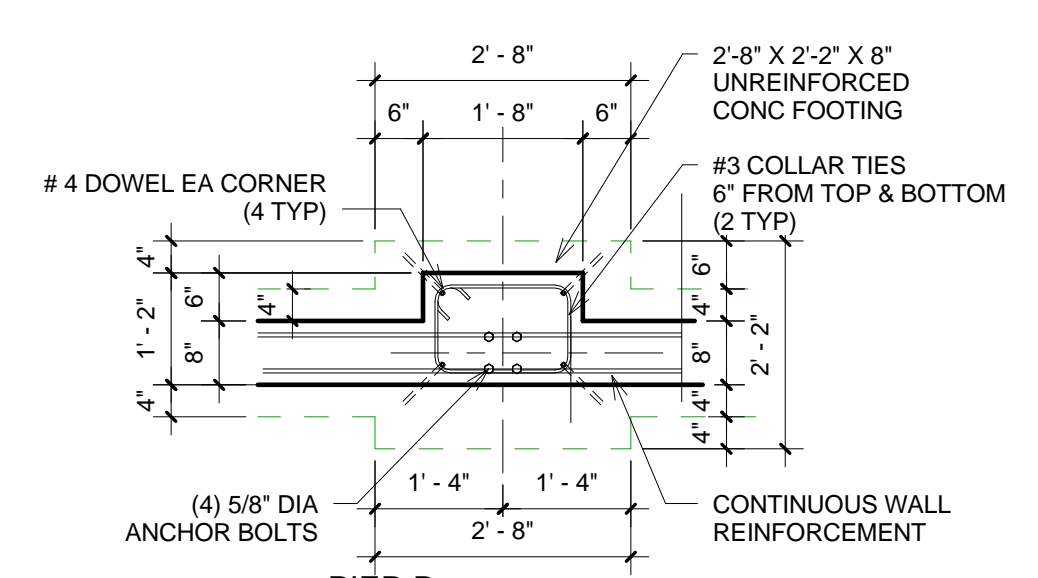
10 PERIMETER FOUNDATION WALL OPT B 1/2" = 1'-0"



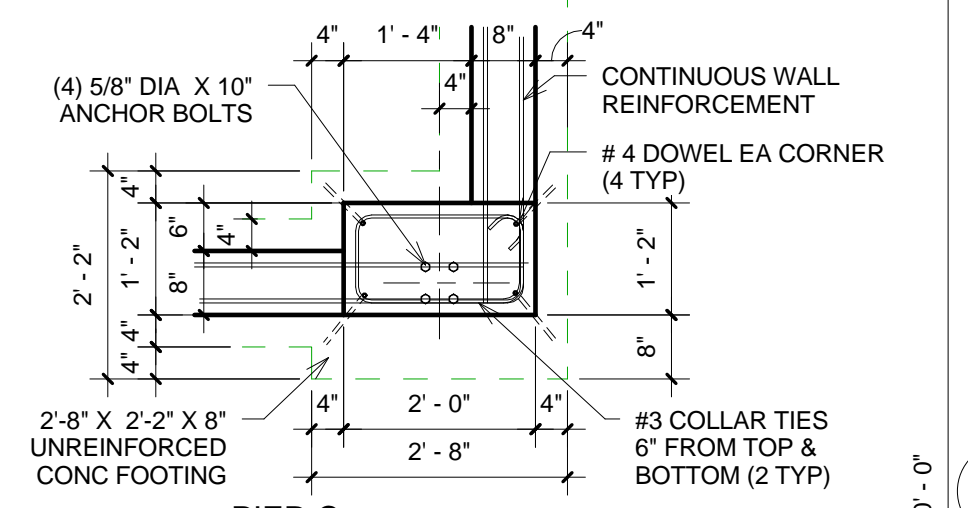
2 PERIMETER FOUNDATION WALL OPT A 1/2" = 1'-0"



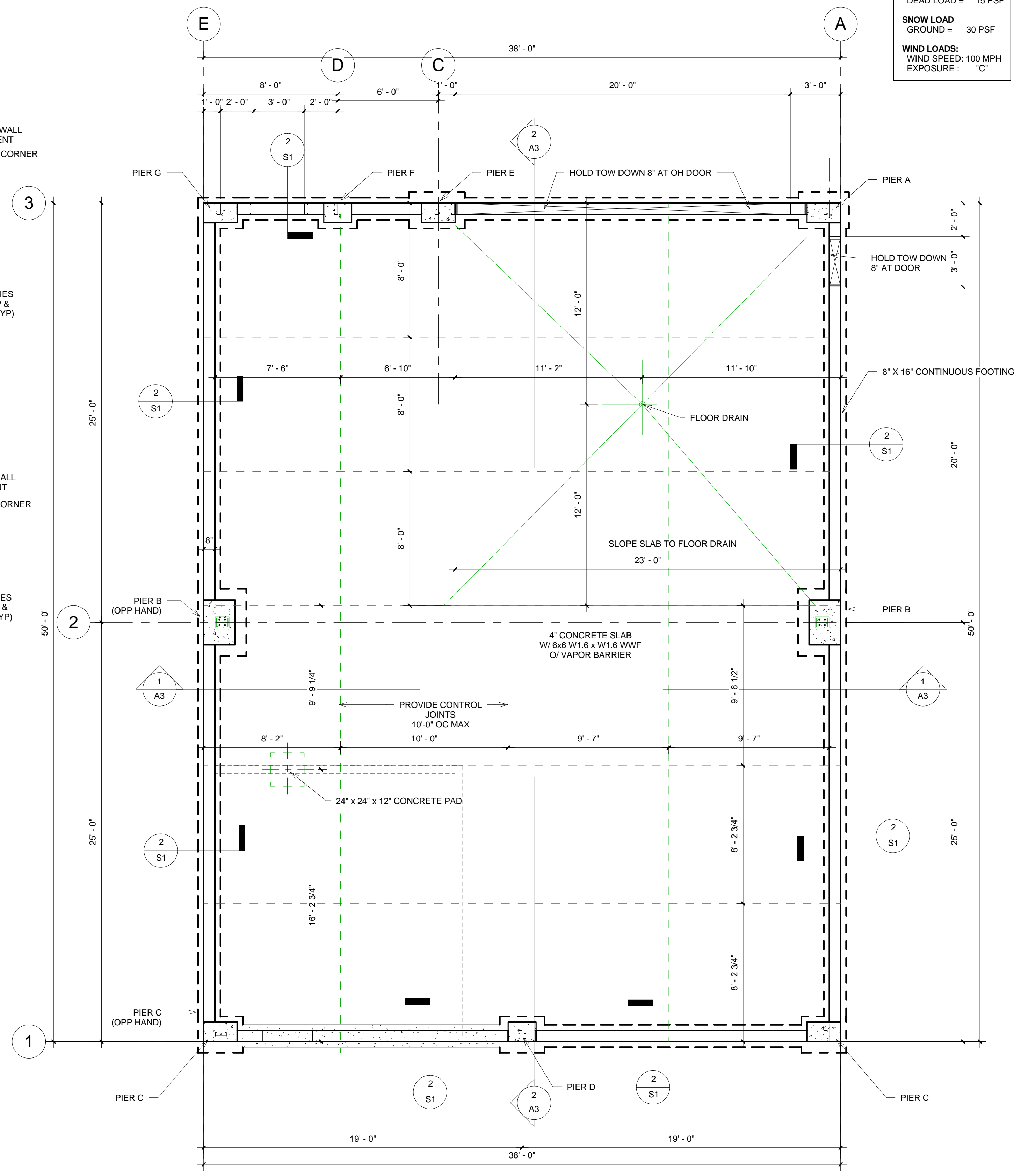
4 PIER B 1/2" = 1'-0"



6 PIER D 1/2" = 1'-0"



5 PIER C 1/2" = 1'-0"



1 FOUNDATION 1/4" = 1'-0"

**DESIGN CRITERIA**

1. DESIGN LIVE LOADS ARE IN ACCORDANCE WITH THE INTERNATIONAL BUILDING CODE, 2009 EDITION WITH THE FOLLOWING MINIMUM CRITERIA:

**FLOOR LOADS:**

OCCUPANCY OR USE

FLOOR LIVE LOAD ..... 100 p.s.f.

**SNOW LOADS:**

ROOF DESIGN SNOW LOAD, P<sub>f</sub> (NON-REDUCIBLE) ..... 40 p.s.f.  
EXPOSURE FACTOR, C<sub>e</sub> ..... 1.0  
IMPORTANCE FACTOR, I<sub>s</sub> ..... 1.0  
THERMAL FACTOR, C<sub>t</sub> ..... 1.0

**SEISMIC LOADS:**

IMPORTANCE FACTOR I ..... 1.0  
SEISMIC GROUP ..... 1.0  
MAPPED SPECTRAL RESPONSE ACCELERATIONS:  
S ..... 0.231  
S ..... 0.061  
SITE CLASS ..... C  
SPECTRAL RESPONSE COEFFICIENTS:  
S ..... 0.185  
S ..... 0.069

SEISMIC DESIGN CATEGORY ..... B  
BASIC SEISMIC FORCE-RESISTING SYSTEMS:  
IGHT FRAMED WALLS WITH WOOD SHEAR PANELS  
DESIGN BASE SHEAR ..... 36 kips (ULTIMATE)  
RESPONSE MODIFICATION FACTOR, R ..... 6 1/2  
ANALYSIS PROCEDURE: EQUIVALENT LATERAL FORCE PROCEDURE

**WIND LOADS:**

BASIC WIND SPEED (3-SECOND GUST): ..... 100 m.p.h.  
WIND EXPOSURE ..... C  
IMPORTANCE FACTOR, I<sub>w</sub> ..... 1.0  
INTERNAL PRESSURE COEFFICIENT, GC<sub>pi</sub> ..... +/- 0.18

2. THE GENERAL CONTRACTOR SHALL BE RESPONSIBLE TO COORDINATE THE LOCATION OF MECHANICAL OPENINGS, FLOOR DRAINS, INSERTS, DEPRESSIONS, BURIED CABLES AND UTILITIES, ETC. WITH ARCHITECTURAL, CIVIL, MECHANICAL AND ELECTRICAL DRAWINGS.

3. VERIFY ALL DIMENSIONS WITH ARCHITECTURAL DRAWINGS. NOTIFY ARCHITECT OF DISCREPANCIES. WRITTEN DIMENSIONS TAKE PRECEDENCE OVER SCALED DIMENSIONS.

**SOILS AND FOUNDATIONS:**

1. DESIGN OF FOOTINGS AND WALLS IS BASED ON THE FOLLOWING CRITERIA:  
MAXIMUM ALLOWABLE SOIL BEARING PRESSURE ..... 3000 p.s.f.  
EQUIVALENT FLUID PRESSURE FOR RETAINING:  
ACTIVE ..... 4.2 p.c.f.

2. SOIL BENEATH FOOTINGS AND SLABS-ON-GRADE SHALL BE SOLID, UNDISTURBED MATERIAL, FREE OF FROST, WATER AND FOREIGN DEBRIS, OR APPROVED STRUCTURAL FILL COMPACTED IN ACCORDANCE WITH THE SOIL REPORT AND SPECIFICATIONS WITH MINIMUM DENSITY AS FOLLOWS:  
FOOTINGS 93% OF MODIFIED PROCTOR, ASTM D1557  
SLABS-ON-GRADE 93% OF MODIFIED PROCTOR, ASTM D1557

3. AN INSPECTOR OF THE SOIL EXPOSED IN THE OPEN EXCAVATION IS REQUIRED TO DETERMINE THAT THE SOIL TYPE AND CONDITIONS ARE CONSISTENT WITH SOIL DESIGN CRITERIA. IF THE SOIL PROPERTIES ARE FOUND TO BE DIFFERENT FROM THIS CRITERIA, THEN THE ARCHITECT SHALL BE PROMPTLY NOTIFIED SO THAT THE FOUNDATION DESIGN MAY BE REVIEWED.

OPEN HOLE INSPECTION REPORT SHALL BE PROVIDED TO BUILDING INSPECTOR AT TIME OF FOOTING INSPECTION.

**CONCRETE:**

1. ALL CONCRETE DESIGN, MATERIALS AND CONSTRUCTION SHALL CONFORM TO ACI STANDARD 318-02, THE INTERNATIONAL BUILDING CODE, 2003 EDITION AND THE CRSI MANUAL OF STANDARD PRACTICE (CURRENT EDITION).

2. MATERIAL SPECIFICATIONS:  
REINFORCING BARS ..... ASTM A615, GRADE 60  
WELDED WIRE FABRIC ..... ASTM A185

3. CONCRETE SHALL HAVE A MINIMUM COMPRESSIVE STRENGTH IN 28 DAYS AS FOLLOWS:  
FOOTINGS & WALLS ..... 3500 p.s.i. CEMENT TYPE III

4. REINFORCEMENT SHALL BE DETAILED IN ACCORDANCE WITH THE ACI DETAILING MANUAL, LATEST EDITION. FORMWORK SHALL BE DESIGNED, ERECTED AND REMOVED IN ACCORDANCE WITH THE A.C.I. SPECIFICATIONS.

5. REINFORCEMENT SHALL BE PLACED SO THAT THE FOLLOWING MINIMUM CONCRETE PROTECTION IS PROVIDED, UNLESS NOTED OTHERWISE:  
CONCRETE SURFACES POURED AGAINST GROUND ..... 3" CLEAR  
FORMED SURFACES EXPOSED TO GROUND OR WEATHER  
BARS #6 AND LARGER ..... 2" CLEAR  
BARS #5 AND SMALLER ..... 1-1/2" CLEAR  
SLABS-ON-GRADE ..... AT CENTERS

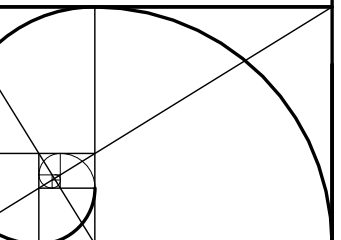
6. REINFORCEMENT SHALL BE SECURELY TIED AND SHALL BE SUPPORTED WITH METAL CHAIRS OR HUNG FROM FORMS.

SERVICE BUILDING FOR:  
**MT. MEMORIAL FUNERAL HOME**  
51 COUNTY ROAD 5, DIVIDE, CO 80814

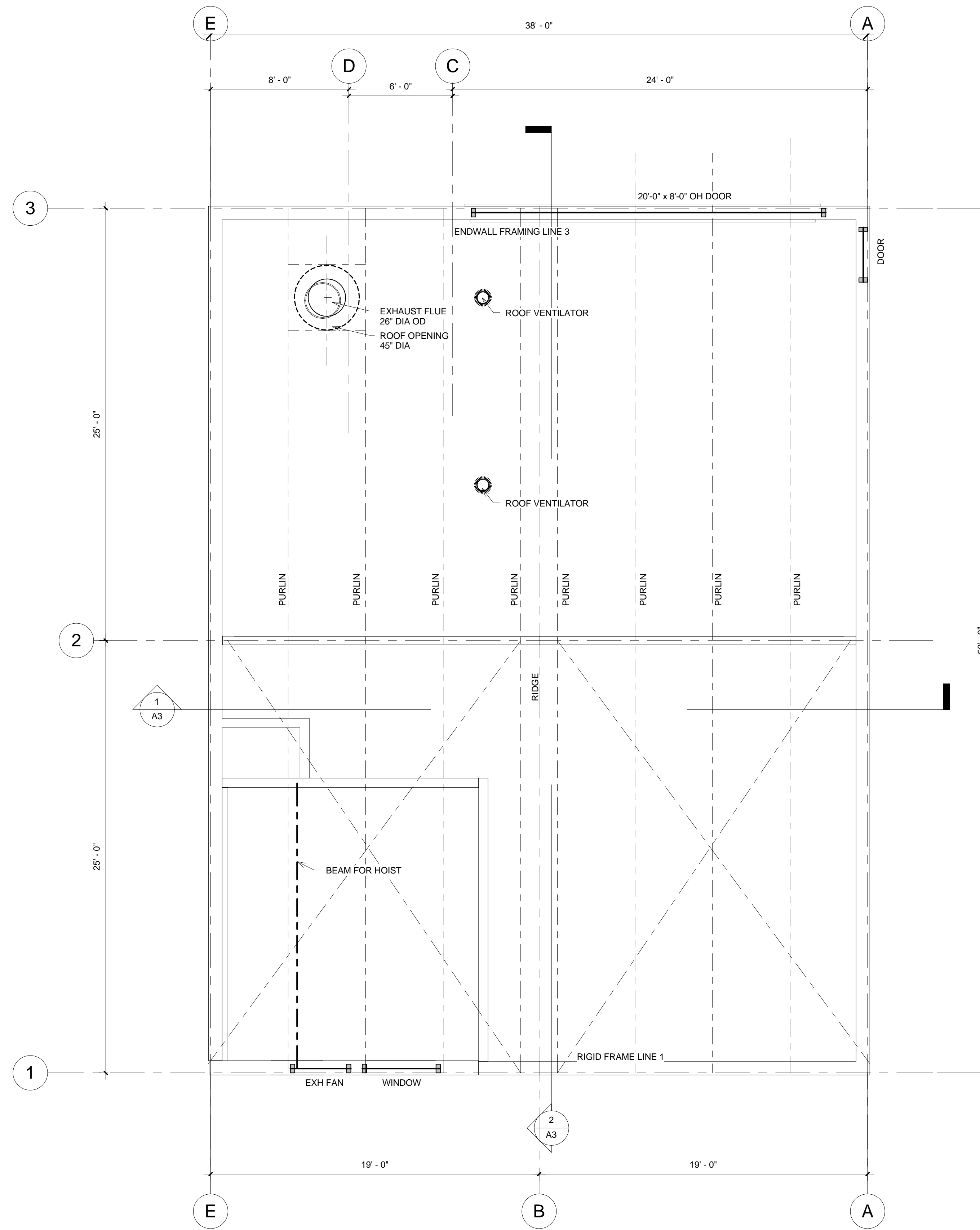
PLAN CHECK

Project number 17015  
Date OCT 3, 2017

S1



<b>DESIGN CRITERIA:</b>	
<b>BUILDING CODES:</b> 2015 IBC 2015 TCBC	
<b>DESIGN LOADS:</b>	
<b>ROOF LOADS:</b>	LIVE LOADS = 100 PSF DEAD LOADS = 15 PSF
<b>FLOOR LOADS:</b>	LIVE LOAD = 40 PSF DEAD LOAD = 15 PSF
<b>SNOW LOAD</b>	GROUND = 30 PSF
<b>WIND LOADS:</b>	WIND SPEED: 100 MPH EXPOSURE : 'C'



1 ROOF FRAMING PLAN  
1/4" = 1'-0"

SEE METAL BUILDING ENGINEERED DRAWINGS FOR MEMBER SIZE AND SPACING

SERVICE BUILDING FOR:  
**MT. MEMORIAL FUNERAL HOME**  
51 COUNTY ROAD 5, DIVIDE, CO 80814

PLAN CHECK

Project number 17015  
Date OCT 3, 2017